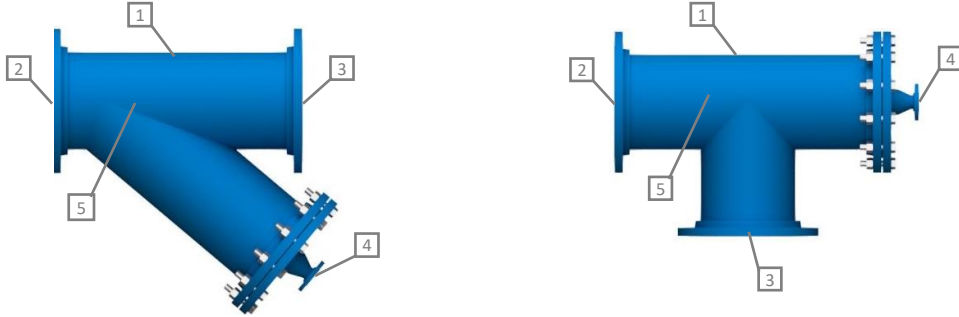


Assembly Detail

# Ball Trap **Technical** **Datasheet**



\* Weights indicated are for traps with ASME B16.5 Class 150 Flanges and schedule STD carbon steel pipe. Weights may vary for other types of flanges or materials.

Notes:

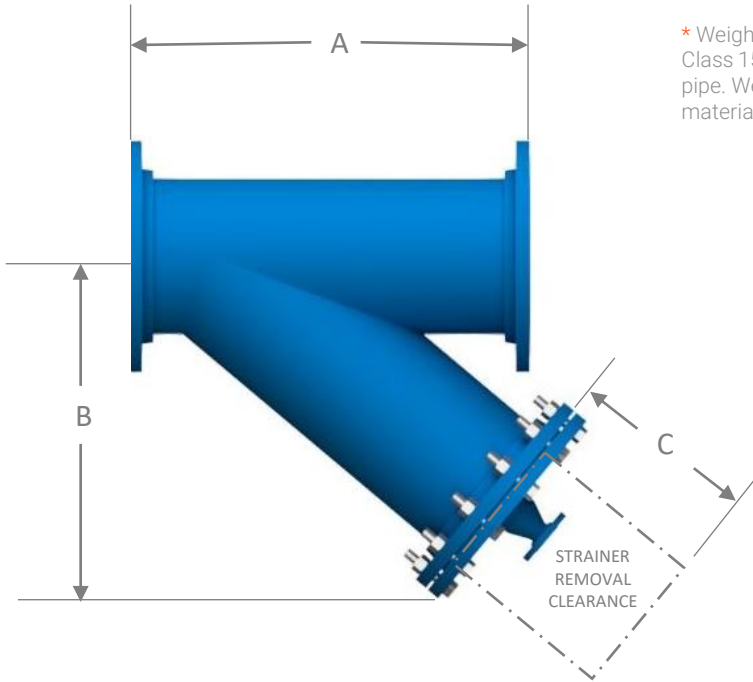
1. Dimensions and weights are subject to change without notice. Upon request, certified dimensional drawings will be submitted for client approval prior to start of fabrication.
2. Standard materials shown. Consult factory for other material options.
3. Flanged end connections shown. Consult factory for end connection options including flanged, grooved end, or butt-weld.

## COMPONENT LIST

Item No.	Description	Material
1	Ball Trap Body	Carbon Steel Sch. STD A53 Gr B
2	Water Inlet Connection	ANSI Class 150 RF Flange CS A105
3	Water Outlet Connection	ANSI Class 150 RF Flange CS A105
4	Ball Outlet Connection	ANSI Class 150 RF Flange CS A105
5	Straining Element	SS304 Perforated Stainless Steel

Mechanical Specifications

# Y Style Ball Trap **Technical Datasheet**



\* Weights indicated are for traps with ASME B16.5 Class 150 Flanges and schedule STD carbon steel pipe. Weights may vary for other types of flanges or materials.

Notes:

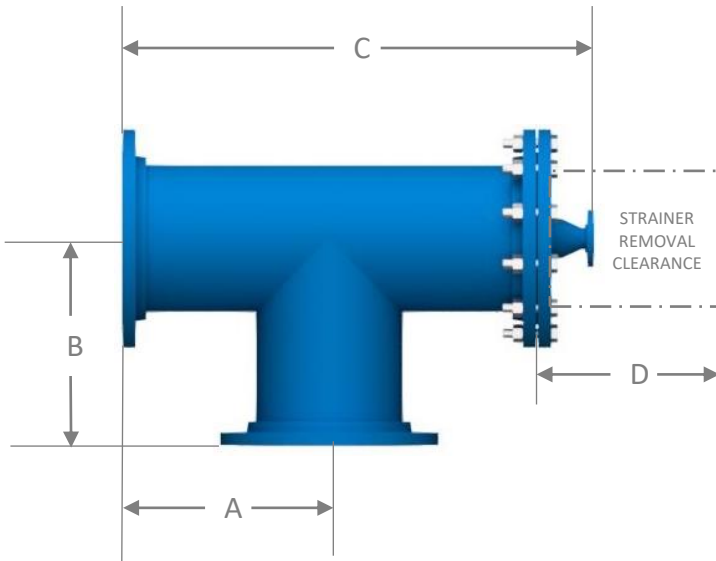
1. Dimensions and weights are subject to change without notice. Upon request, certified dimensional drawings will be submitted for client approval prior to start of fabrication.
2. Standard materials shown. Consult factory for other material options.
3. Flanged end connections shown. Consult factory for end connection options including flanged, grooved end, or butt-weld.

Y-Style						
Ball Trap Size [in]	A [in]	B [in]	C [in]	Ball Outlet Conn. Size [in]	Empty Weight [lb]	Working Weight [lb]
6	19.0	16.5	21.0	1.5	140	160
8	20.0	20.5	26.0	1.5	240	300
10	27.0	24.0	31.0	1.5	370	490
12	33.0	28.0	36.0	1.5	550	740
14	34.0	30.0	40.0	1.5	780	1170
16	39.0	34.0	45.0	2.0	980	1570
18	46.0	35.0	48.0	2.0	1250	1960
20	46.0	40.0	54.0	2.0	1300	2050
24	54.0	45.5	56.0	2.0	2000	3300

Mechanical Specifications

# Elbow Style Ball Trap

## Technical Datasheet



\* Weights indicated are for traps with ASME B16.5 Class 150 Flanges and schedule STD carbon steel pipe. Weights may vary for other types of flanges or materials.

Notes:

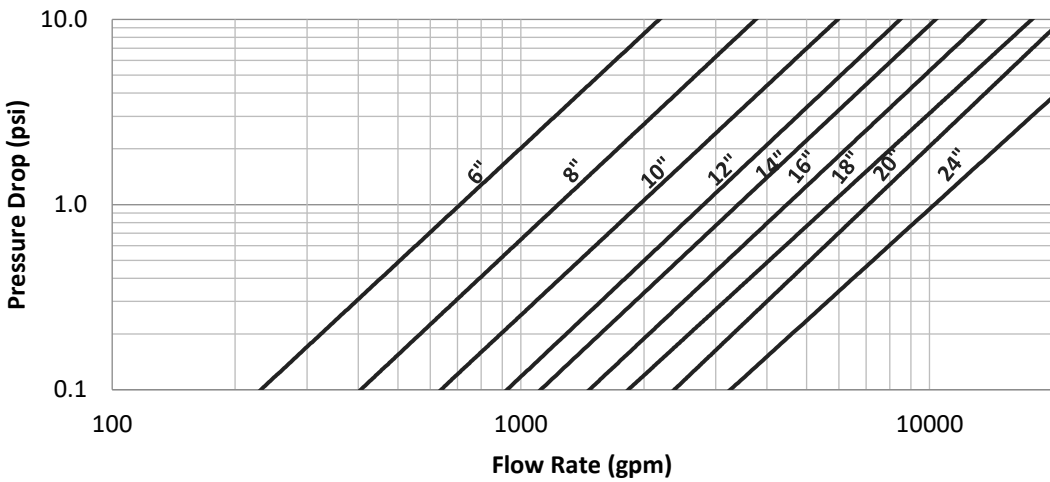
1. Dimensions and weights are subject to change without notice. Upon request, certified dimensional drawings will be submitted for client approval prior to start of fabrication.
2. Standard materials shown. Consult factory for other material options.
3. Flanged end connections shown. Consult factory for end connection options including flanged, grooved end, or butt-weld.

Elbow Style							
Ball Trap Size [in]	A [in]	B [in]	C [in]	D [in]	Ball Outlet Conn. Size [in]	Empty Weight [lb]	Working Weight [lb]
6	9.0	9.0	23.0	17.0	1.5	140	160
8	12.0	12.0	29.0	23.0	1.5	240	300
10	15.0	15.0	35.5	29.0	1.5	380	510
12	18.0	18.0	41.0	35.0	1.5	580	790
14	21.0	21.0	47.5	40.0	1.5	690	970
16	24.0	24.0	54.0	47.0	2.0	840	1250
18	27.0	27.0	60.0	54.0	2.0	1150	1650
20	30.0	30.0	66.0	58.0	2.0	1200	1850
24	36.0	36.0	78.0	70.0	2.0	1900	3350

Mechanical Specifications

# Ball Trap Pressure Drop Specifications

**Y-Style  
Ball Trap Pressure Drop**



**Elbow-Style  
Ball Trap Pressure Drop**

